

Gas Supply

Specifications

Gas Supply	Medical-grade Oxygen
Pipe Connector	NIST or DISS
Gas Supply Pressure	280-600kPa

Power & Battery Backup

Specifications

External AC Power Supply Input Voltage	100-240V
Input Frequency	50/60Hz
Input Current	2.5A Max
Fuse	T3.15AH/250V
Number of Batteries	One or Two (Optional)
Battery Type	Build-in Lithium-ion Battery, 14.4VDC, 6900mAh
Battery Running Time	3 hours (1 Qty Battery) 6 hours (2 Qty Battery)

Communication interface

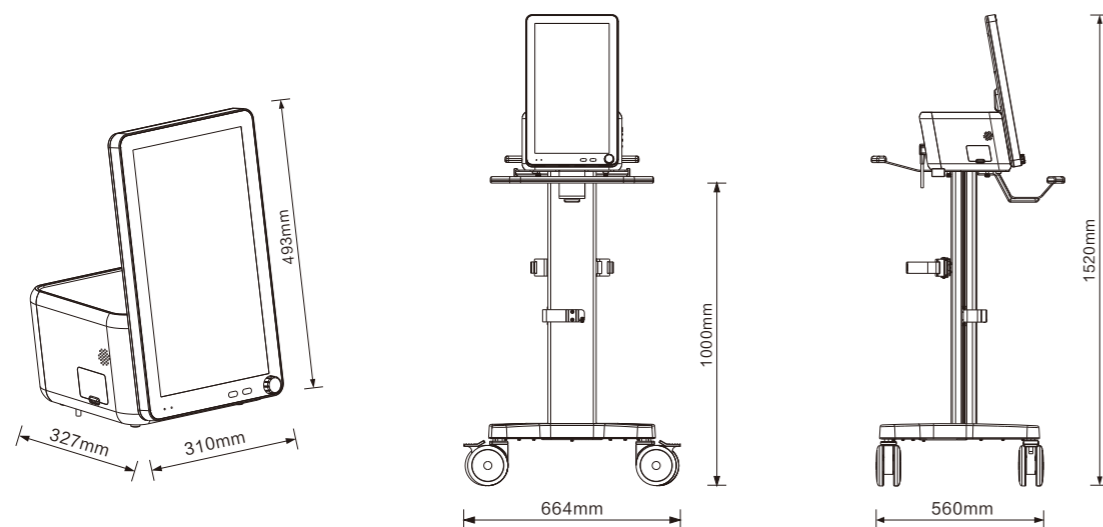
Specifications

Communication Interface	HDMI, RS232, USB, Nurse call, CO ₂ Module Connector, SPO ₂ Module Connector
-------------------------	---

Value Added Functions

Specifications

100%O₂
Suction
Nebulization
Manual Breath
Inspiratory Hold
Expiratory Hold
PEEPi
P0.1
NIF
PV Tool



resvent

Resvent Medical Technology co.,Ltd.

602, Building B&C, Gaoxinqi Industrial Park phase I, Liuxian
No.1 Road, Baoan District, Shenzhen 518100, P. R. CHINA
0086-755-23027370-808
info@resvent.com
www.resvent.com



iHope[®] RS Ventilator

DATASHEET



Physical Specifications

Specifications

Dimensions(L*W*H)	310mm * 327mm* 493mm (main unit) 664mm * 600mm * 1520mm (with trolley)
Weight	Approximately 12.0kg (main unit) , Approximately 33.0kg (with trolley)

Display

Specifications

Display Size	18.5 inch-TFT Touch Screen
Display Resolution (H) x (V)	1080 * 1920pixels
Brightness	Adjustable

Ventilation Specifications

Specifications

Patient Type	Adult, Pediatric, Neonatal
Invasive Ventilation Mode	<ul style="list-style-type: none"> • VCV (Volume Control Ventilation) • PCV (Pressure Control Ventilation) • VSIMV (Volume Synchronized Intermittent Mandatory Ventilation) • PSIMV (Pressure Synchronized Intermittent Mandatory Ventilation) • CPAP/PSV (Continuous Positive Airway Pressure/Pressure Support Ventilation) • PRVC (Pressure Regulated Volume Control) • V+SIMV (PRVC+SIMV) • BPAP (Bilevel Positive Airway Pressure) • APRV (Airway Pressure Release Ventilation) • Apnea Ventilation
Non-invasive Ventilation Mode	<ul style="list-style-type: none"> • CPAP (Continuous Positive Airway Pressure) • PCV (Pressure Control Ventilator) • PPS (Proportional Pressure Support) • S/T (Spontaneous and Timed) • VS (Volume Support)

resvent

Controlled Parameters

Specifications	Adult, Pediatric	Neonatal
O ₂ %	21–100%	21–100%
VT (Tidal Volume)	100–2000mL (Adult) 20–300mL (Pediatric)	2–300mL
f	1–80bpm	1–150bpm
f–SIMV	1–80bpm	1–150bpm
I:E	1:10 –4:1	1:10 –4:1
T–insp.	0.2–10s	0.20–10s
T–slope	0–2s	0–2s
T–high	0.2–30s	0.2–3s
T–low	0.2–30s	0.2–30s
T–pause	5%–60% , Off	5%–60% , Off
ΔP–insp.	5–60cmH ₂ O	3–60cmH ₂ O
ΔP–supp.	0–60cmH ₂ O	0–60cmH ₂ O
P–high	0–60cmH ₂ O	0–60cmH ₂ O
P–low	0–45cmH ₂ O	0–25cmH ₂ O
PEEP	1–45cmH ₂ O , Off	1–25cmH ₂ O , Off
Flow Trigger	0.5–15L/min	0.1–5L/min
Pressure Trigger	–10 –(–0.5)cmH ₂ O	/
Exp%	10–85% , Auto	10–85% , Auto
CPAP	4–25cmH ₂ O	/
EPAP	4–25cmH ₂ O	/
IPAP	4–20cmH ₂ O	/
Rise time	1–5	/
Ramp time	5–45min , Off	/
P–min (VS minimum IPAP)	5–30cmH ₂ O	/
P–max (VS maximum IPAP)	6–40cmH ₂ O	/
P–max (PPV maximum pressure limit)	5–40cmH ₂ O	/
V–max (PPV maximum volume limit)	200–3500mL	/
E–max	0–100cmH ₂ O/L	/
R–max	0–50cmH ₂ O/L/s	/
PPV%	0–100%	/

Apnea Ventilation

Specifications	
VT–apnea	Adult: 100–2000mL Pediatric: 20–300mL Neonatal: 2–300mL
ΔP–apnea	5–60cmH ₂ O
f–apnea	1–80bpm
Apnea T–insp.	0.2–10s

Sigh

Specifications	
Sigh Switch	On, Off
Interval	20s–180min
Cycles Sigh	1–20
Δ int.PEEP	1– 45 cmH ₂ O , Off

Synchronized Tube Resistance Compliance

Specifications	
Tube Type	ET Tube, Trach Tube, Disable STRC
Tube I.D.	Adult: 5.0–12.0mm Pediatric: 2.5–8.0mm

Compensate	0–100%
Expiration Compensation Switch	On, Off

Monitored Parameters

Numeric		
Paw	Vte	C–dyn.
P–peak	VTi	C–stat.
P–plat.	VTe–spn.	RC–exp.
P–mean	VTe/IBW	WOB
PEEP	FiO ₂	RSBI
PIP	f	Pt.–trig.
EPAP	f–total	Pt.–leak
MV	I:E	Tot.–leak
MV–leak	Re	Continuous Flow (O ₂ Therapy)
MV–spn.	Ri	

Real Time Graphics	
Pressure–time Waveform	Pressure–volume Loop
Flow–time Waveform	Flow–time Loop
Volume–time Waveform	Pressure–flow Loop

Alarm Settings

Specifications	Type	Adult	Pediatric	Neonatal
Tidal Volume	High	110–4000mL, Off	25–600mL, Off	4–600mL, Off
	Low	50–4000ml, Off	10–600mL, Off	1–590mL, Off
Minute Volume	High	0.2–100.0L/min	0.2–60.0L/min	0.12–50.0L/min
	Low	0.1–50.0L/min	0.1–30.0L/min	0.02–30.0L/min
Airway Pressure	High	10–65cmH ₂ O	10–65cmH ₂ O	10–65cmH ₂ O
	Low	10–63cmH ₂ O , Off	10–63cmH ₂ O , Off	10–63cmH ₂ O , Off
Frequency	High	1– 90bpm , Off	1– 90bpm , Off	1~160bpm , Off
	Low	1– 88bpm , Off	1– 88bpm , Off	1~158bpm , Off
O ₂ Concentration	High	20–100%	20–100%	20–100%
	Low	18–98%	18–98%	18–98%
Apnea Alarm Time	Low	5–60s	5–60s	5–60s

O₂ Therapy

Specifications	O ₂ %	Flow
Controlled Parameters	21–100% (Increments of 1%)	4–60L/min
Controlled Accuracy	± (3vol.% +1% of Setting)	± (2L/min+10% of Setting) (BTPS)

Trend & Record

Specifications	
Type	Tabular, Graphic
Length	72 hours
Content	Monitor Parameters
Max Log	20000
Screen Capture	500

Environmental Specifications

Specifications	Operating	Storage and transport
Temperature	5–40°C	–20 – 60°C , O ₂ Sensor: –20 – 50°C
Relative Humidity	10–95%	10–95%
Barometric Pressure	62–106kPa	50–106kPa